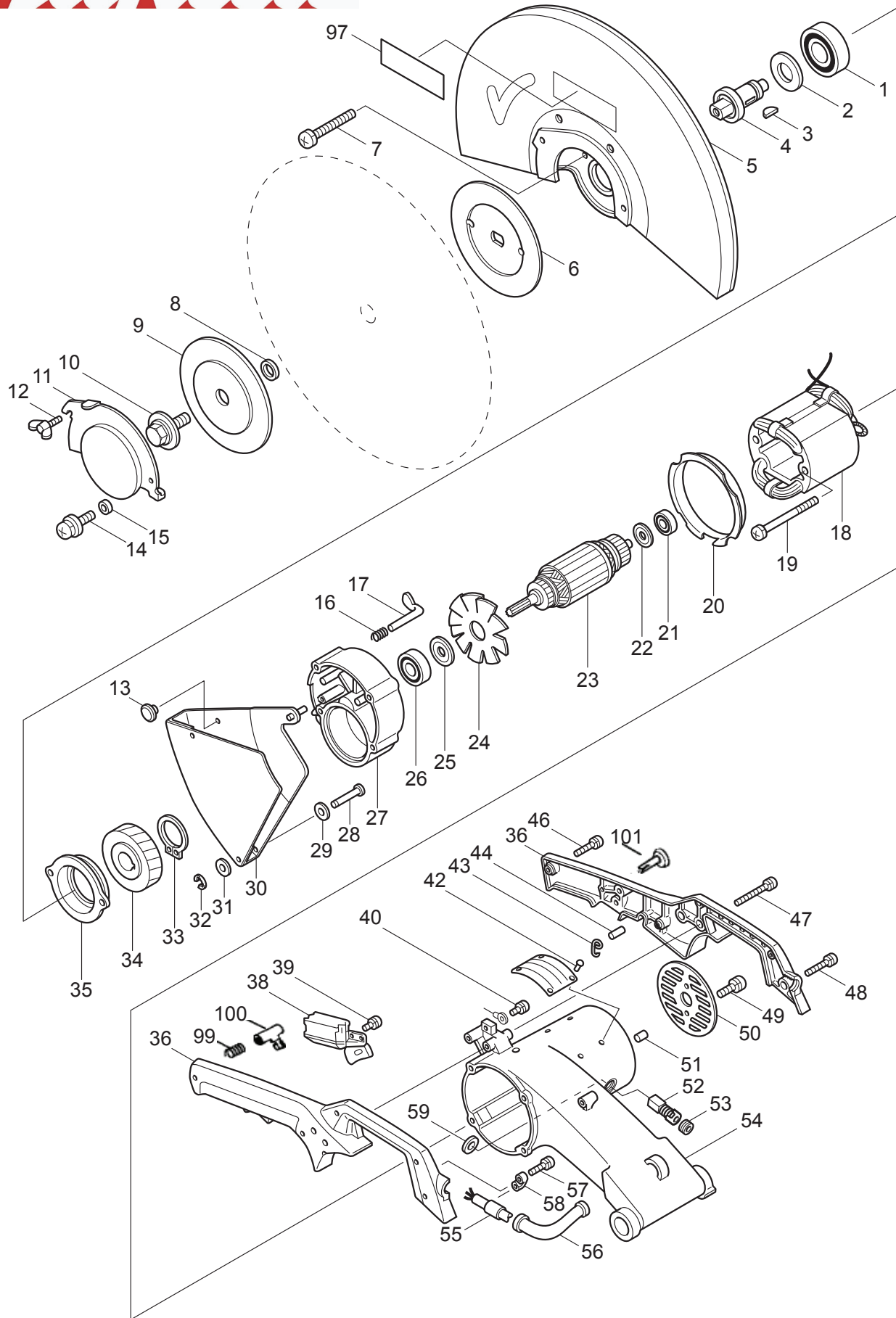
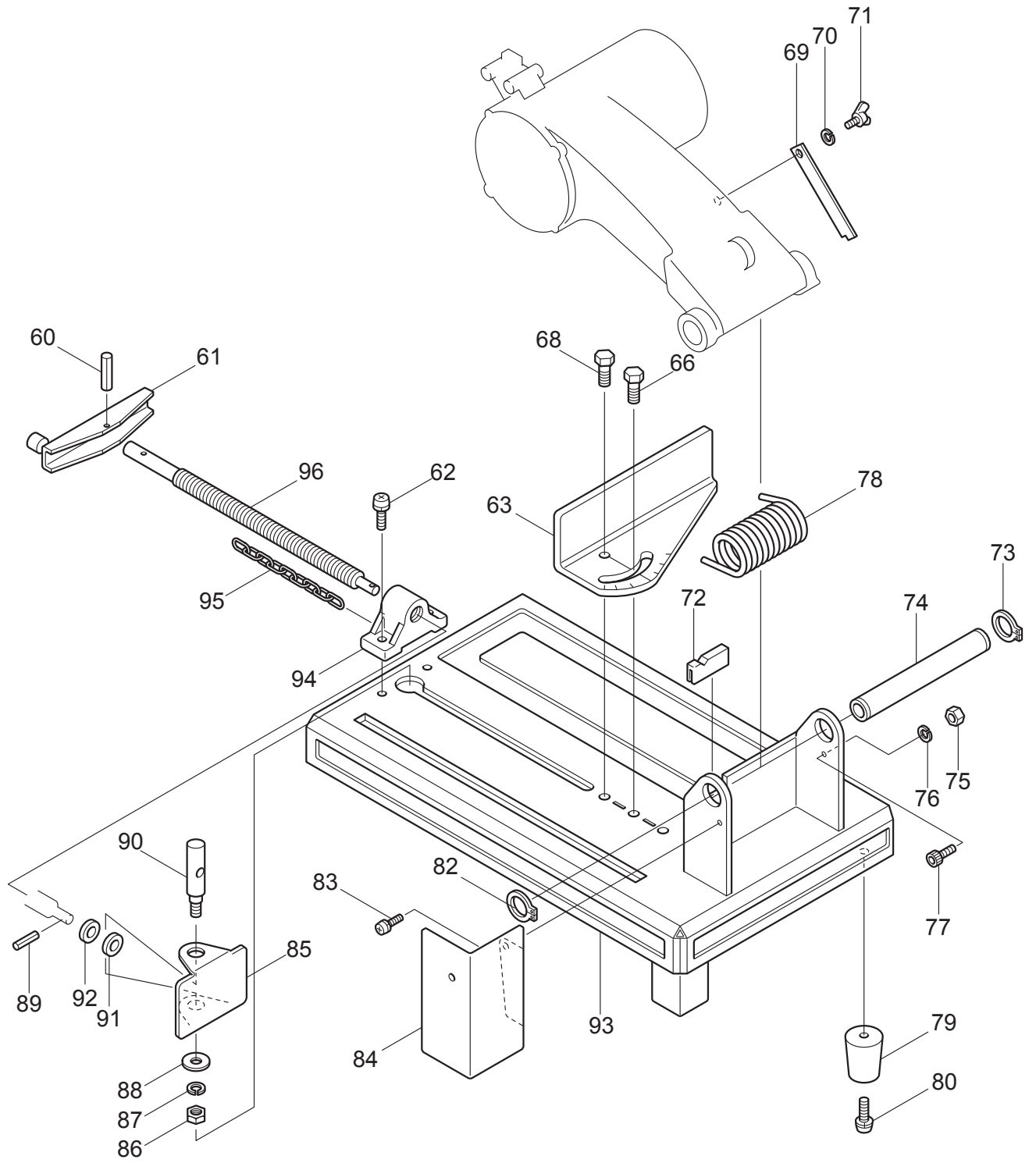




08 - 2010
2416S
16" CUT-OFF SAW





| Item No. | Type | Sub | Part No. | Description | Qty | Unit |
|----------|------|------|----------|----------------------------------------|-----|------|
| 1 | | | 211361-5 | BALL BEARING 6305LLB | 1 | PC. |
| 2 | | | 253888-9 | FLAT WASHER 25 | 1 | PC. |
| 3 | | | 254032-1 | WOODRUFF KEY 5 | 1 | PC. |
| 4 | | | 321645-4 | SPINDLE | 1 | PC. |
| 5 | 1 | | 155690-5 | SAFETY COVER COM. (ENGLISH LABEL) | 1 | PC. |
| | 2 | | 155736-7 | SAFETY COVER COMPLETE (ENG & FR LABEL) | 1 | PC. |
| 6 | | | 224219-9 | INNER FLANGE 102 | 1 | PC. |
| 7 | | | 911381-6 | PAN HEAD SCREW M6X60 | 4 | PC. |
| 8 | | | 257104-1 | RING 22 | 1 | PC. |
| 9 | | | 224218-1 | OUTER FLANGE 102 | 1 | PC. |
| 10 | | | 251680-7 | HEX. BOLT M10X25 | 1 | PC. |
| 11 | | | 342666-3 | CENTER CAP | 1 | PC. |
| 12 | | | 924306-1 | WING BOLT M6X10 | 1 | PC. |
| 13 | | | 416771-3 | PLUG | 2 | PC. |
| 14 | | | 911309-4 | PAN HEAD SCREW M6X10 | 1 | PC. |
| 15 | | | 257105-9 | RING 6 | 1 | PC. |
| 16 | | | 231240-1 | COMPRESSION SPRING 7 | 1 | PC. |
| 17 | | | 321682-8 | STOPPER | 1 | PC. |
| 18 | | | 524751-6 | FIELD ASS'Y 115V (OLD# 624751-7) | 1 | PC. |
| | | INC. | 654020-2 | RING TERMINAL | 2 | PC. |
| | | INC. | 654502-4 | CONNECTOR P-2 | 2 | PC. |
| 19 | | | 911938-3 | PAN HEAD SCREW M5X85 | 2 | PC. |
| 20 | | | 343299-7 | BAFFLE PLATE | 1 | PC. |
| 21 | | | 211066-7 | BALL BEARING 6200LLB | 1 | PC. |
| 22 | | | 213051-6 | DUST SEAL 10 | 1 | PC. |
| 23 | | | 514881-1 | * ARMATURE ASS'Y 115V | 1 | PC. |
| | | INC. | | * Item No. 21,22,24 | | |
| 24 | | | 241515-0 | FAN 92 (OLD# 241054-0) | 1 | PC. |
| 25 | | | 253887-1 | FLAT WASHER 15 | 1 | PC. |
| 26 | | | 211211-4 | BALL BEARING 6302LLB | 1 | PC. |
| 27 | 1 | | 157822-0 | * GEAR HOUSING - N/L/A | 1 | PC. |
| | | INC. | 267039-8 | FLAT WASHER 32 | 1 | PC. |
| | | INC. | 213513-4 | O RING 39 | 1 | PC. |
| | 2 | | 151829-8 | * GEAR HOUSING COMPLETE | 1 | PC. |
| | | INC. | 212104-8 | NEEDLE BEARING 1212 | 1 | PC. |
| | | INC. | 213513-4 | O RING 39 | 1 | PC. |
| | | INC. | 213561-3 | O RING 42 | 1 | PC. |
| | | INC. | 267039-8 | FLAT WASHER 32 | 1 | PC. |
| 28 | | | 256643-8 | PIN 7 | 1 | PC. |
| 29 | | | 253022-1 | FLAT WASHER 8 | 1 | PC. |
| 30 | | | 165276-7 | * SAFETY GUARD | 1 | PC. |
| 31 | | | 253022-1 | FLAT WASHER 8 | 1 | PC. |
| 32 | | | 961018-5 | STOP RING E-5 | 1 | PC. |
| 33 | | | 961105-0 | RETAINING RING S-25 | 1 | PC. |
| 34 | | | 221730-2 | HELICAL GEAR 53 | 1 | PC. |
| 35 | | | 315636-5 | BEARING HOUSING | 1 | PC. |
| 36 | | | 181978-7 | HANDLE SET | 1 | SET |
| | | INC. | 931102-0 | HEX NUT 4 | 4 | PC. |
| | | INC. | 931202-6 | HEX NUT 5 | 3 | PC. |
| 38 | | | 651131-4 | SWITCH C3D-15MS | 1 | PC. |
| 39 | | | 911113-1 | PAN HEAD SCREW M4X10 | 1 | PC. |
| 40 | | | 652014-1 | PAN HEAD SCREW M4X8 | 1 | PC. |
| 42 | | | 953106-2 | RIVET 0-5 | 4 | PC. |
| 43 | 1 | | 281207-9 | HANGER | 1 | PC. |
| | 2 | | 281216-8 | HANGER | 1 | PC. |
| 44 | | | 256012-3 | PIN 6 | 1 | PC. |
| 46 | | | 911148-2 | PAN HEAD SCREW M4X25 | 4 | PC. |

| Item No. | Type | Sub | Part No. | Description | Qty | Unit |
|----------|-------|------|----------|-----------------------------------------------|-----|------|
| 47 | | | 911273-9 | PAN HEAD SCREW M5X50 | 2 | PC. |
| 48 | | | 911253-5 | PAN HEAD SCREW M5X30 | 1 | PC. |
| 49 | | | 911211-1 | PAN HEAD SCREW M5X12 | 2 | PC. |
| 50 | | | 284010-7 | REAR COVER | 1 | PC. |
| 51 | | | 263002-9 | RUBBER PIN 4 | 1 | PC. |
| 52 | 1 | | 181047-4 | CARBON BRUSH CB-154 2PC/SET (W/O ORIGIN) | 1 | SET |
| | 2 | | 194986-9 | CARBON BRUSH CB-154 2PC/SET (W/ ORIGIN) | 1 | SET |
| | Opt.1 | | 181048-2 | A.C. CARBON BRUSH CB-155 2PC/SET (W/O ORIGIN) | 1 | SET |
| | Opt.2 | | 194987-7 | A.C. CARBON BRUSH CB-155 2PC/SET (W/ ORIGIN) | 1 | SET |
| 53 | | | 643650-4 | BRUSH HOLDER CAP 6.5-13.5 | 2 | PC. |
| 54 | | | 157753-3 | * MOTOR HOUSING COMPLETE | 1 | PC. |
| | | INC. | 643653-8 | * BRUSH HOLDER 6.5-13.5 | 2 | PC. |
| | | INC. | 913206-0 | * SET SCREW M5X8 | 2 | PC. |
| | | INC. | | * Item No. 51 | | |
| 55 | | | 664820-2 | CORD W/PLUG 3P-14-2.5M, SJ | 1 | PC. |
| 56 | | | 682507-4 | CORD GUARD 12-200 | 1 | PC. |
| 57 | | | 911133-5 | PAN HEAD SCREW M4X18 (OLD# 911131-9) | 2 | PC. |
| 58 | | | 687000-3 | STRAIN RELIEF (OLD# 687001-1) | 1 | PC. |
| 59 | | | 681002-1 | INSULATION WASHER | 2 | PC. |
| 60 | | | 951163-4 | SPRING PIN 5-20 | 1 | PC. |
| 61 | 1 | | 272019-1 | HANDLE 120 (For Regular Vice) | 1 | PC. |
| | 2 | | 272021-4 | HANDLE 120 (For Quick Vice) | 1 | PC. |
| 62 | | | 911451-1 | PAN HEAD SCREW M8X30 (OLD# 911441-4) | 2 | PC. |
| 63 | | | 331252-5 | GUIDE | 1 | PC. |
| 66 | | | 265201-9 | HEX. BOLT M10X25 | 1 | PC. |
| 68 | | | 265201-9 | HEX. BOLT M10X25 | 1 | PC. |
| 69 | | | 343422-4 | * STOPPER PLATE | 1 | PC. |
| 70 | | | 942151-2 | * SPRING WASHER 6 | 1 | PC. |
| 71 | | | 924316-8 | * WING BOLT M6X15 | 1 | PC. |
| 72 | | | 342759-6 | RETAINER | 1 | PC. |
| 73 | | | 961104-2 | RETAINING RING S-24 | 1 | PC. |
| 74 | | | 331251-7 | PIPE 24 | 1 | PC. |
| 75 | | | 931302-2 | HEX. NUT M6 | 1 | PC. |
| 76 | | | 942151-2 | SPRING WASHER 6 | 1 | PC. |
| 77 | | | 922317-0 | HEX. SOCKET HEAD BOLT M6X14 | 1 | PC. |
| 78 | | | 231569-5 | TORSION SPRING 30 | 1 | PC. |
| 79 | | | 421277-8 | CUSHION | 3 | PC. |
| 80 | | | 911349-2 | PAN HEAD SCREW M6X28 | 3 | PC. |
| 82 | | | 961104-2 | RETAINING RING S-24 | 1 | PC. |
| 83 | | | 911316-7 | PAN HEAD SCREW M6X14 | 1 | PC. |
| 84 | | | 342678-6 | SPARK CHUTE | 1 | PC. |
| 85 | | | 342679-4 | VICE PLATE (OLD# 343546-6) | 1 | PC. |
| 86 | | | 931402-8 | HEX. NUT M8 (OLD# 931401-0) | 1 | PC. |
| 87 | | | 942201-3 | SPRING WASHER 8 | 1 | PC. |
| 88 | | | 253752-4 | FLAT WASHER 8 | 1 | PC. |
| 89 | | | 951066-2 | SPRING PIN 3-18 | 1 | PC. |
| 90 | | | 321680-2 | SCREW M8 (OLD# 265922-3) | 1 | PC. |
| 91 | | | 253731-2 | FLAT WASHER 8 | 1 | PC. |
| 92 | | | 253731-2 | FLAT WASHER 8 | 1 | PC. |
| 93 | | | 164710-4 | BASE | 1 | PC. |
| 94 | 1 | | 311714-9 | VICE NUT (For Regular Vice) | 1 | PC. |
| | 2 | | 322209-7 | VICE NUT (For Quick Vice) | 1 | PC. |
| 95 | 1 | | 282010-1 | CHAIN - N/L/A | 1 | PC. |
| | 2 | | 282016-9 | CHAIN | 1 | PC. |
| 96 | 1 | | 321681-0 | VICE SCREW (For Regular Vice) | 1 | PC. |
| | 2 | | 322240-3 | VICE SCREW (For Quick Vice) | 1 | PC. |
| 97 | | | 819064-1 | MAKITA MARK | 1 | PC. |

| Item No. | Type | Sub | Part No. | Description | Qty | Unit |
|----------|------|-----|----------|------------------------------|-----|------|
| 99 | | | 231026-3 | COMPRESSION SPRING 4 | 1 | PC. |
| 100 | | | 411446-9 | SWITCH LOCK TYPE 2 | 1 | PC. |
| 101 | | | 411447-7 | LOCK-OFF BUTTON | 1 | PC. |
| 103 | | | 311949-2 | SCREW GUIDE (For Quick Vice) | 1 | PC. |
| 200 | | | 652014-1 | P.H. SCREW M4 X 18 | 5 | PC. |
| 201 | | | 654002-4 | EYE TERMINAL 1.25-M4 | 5 | PC. |

ACCESSORIES

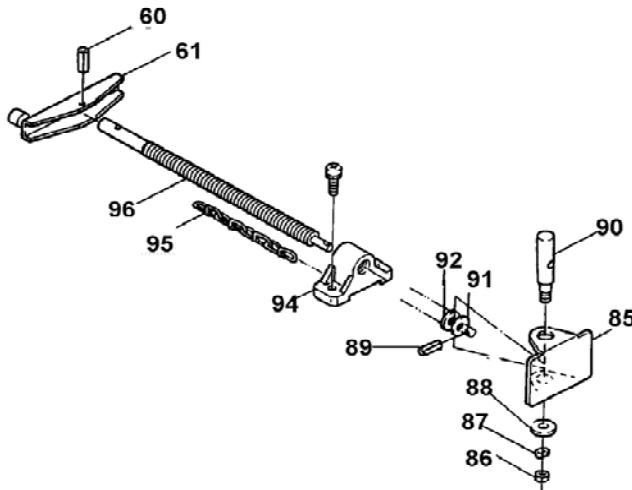
- See catalogue or visit www.makita.ca for other optional accessories -

| | | | | |
|-----|----------|----------------------------------|---|-----|
| A01 | A-90174 | 16" CUT-OFF WHEEL A36PDF 5PC/PK | 1 | PC. |
| | A-05050 | 16" CUT-OFF WHEEL A36PBF 25PC/PK | 1 | PC. |
| A02 | 782210-8 | SOCKET WRENCH 17 | 1 | PC. |
| A03 | 134549-9 | QUICK VISE ASSY | 1 | PC. |

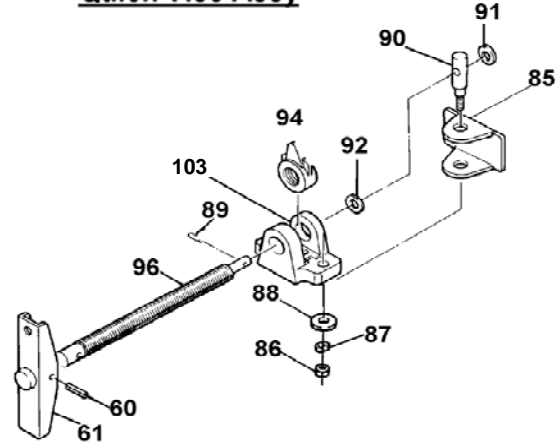
REGULAR VICE ASSY vs. QUICK VICE ASSY

| Regular Vice Assy (Type1) | | | Quick Vice Assy (Type2) | |
|---------------------------|----------|-----------------------------------------------------|-------------------------|---------------------------------------------------|
| Item No. | Part No. | Description | Part No. | Description |
| A03 | N/A | REGULAR VICE ASSY (Includes below parts) | 134549-9 | QUICK VICE ASSY (Includes below parts) |
| 60 | 951163-4 | SPRING PIN 5-20 | 951163-4 | SPRING PIN 5-20 |
| 61 | 272019-1 | HANDLE 120 | 272021-4 | HANDLE 120 |
| 85 | 342679-4 | VICE PLATE | 342679-4 | VICE PLATE (OLD# 343546-6) |
| 86 | 931402-8 | HEX. NUT M8 (OLD# 931401-0) | 931402-8 | HEX. NUT M8 |
| 87 | 942201-3 | SPRING WASHER 8 | 942201-3 | SPRING WASHER 8 |
| 88 | 253752-4 | FLAT WASHER 8 | 253752-4 | FLAT WASHER 8 |
| 89 | 951066-2 | SPRING PIN 3-18 | 951066-2 | SPRING PIN 3-18 |
| 90 | 321680-2 | SCREW M8 | 321680-2 | SCREW M8 (OLD# 265922-3) |
| 91 | 253731-2 | FLAT WASHER 8 | 253731-2 | FLAT WASHER 8 |
| 92 | 253731-2 | FLAT WASHER 8 | 253731-2 | FLAT WASHER 8 |
| 94 | 311714-9 | VICE NUT | 322209-7 | VICE NUT |
| 96 | 321681-0 | VICE SCREW | 322240-3 | VICE SCREW |
| 103 | N/A | SCREW GUIDE | 311949-2 | SCREW GUIDE |

Vice Assy (Regular)



Quick Vice Assy



(T/l# 89417)